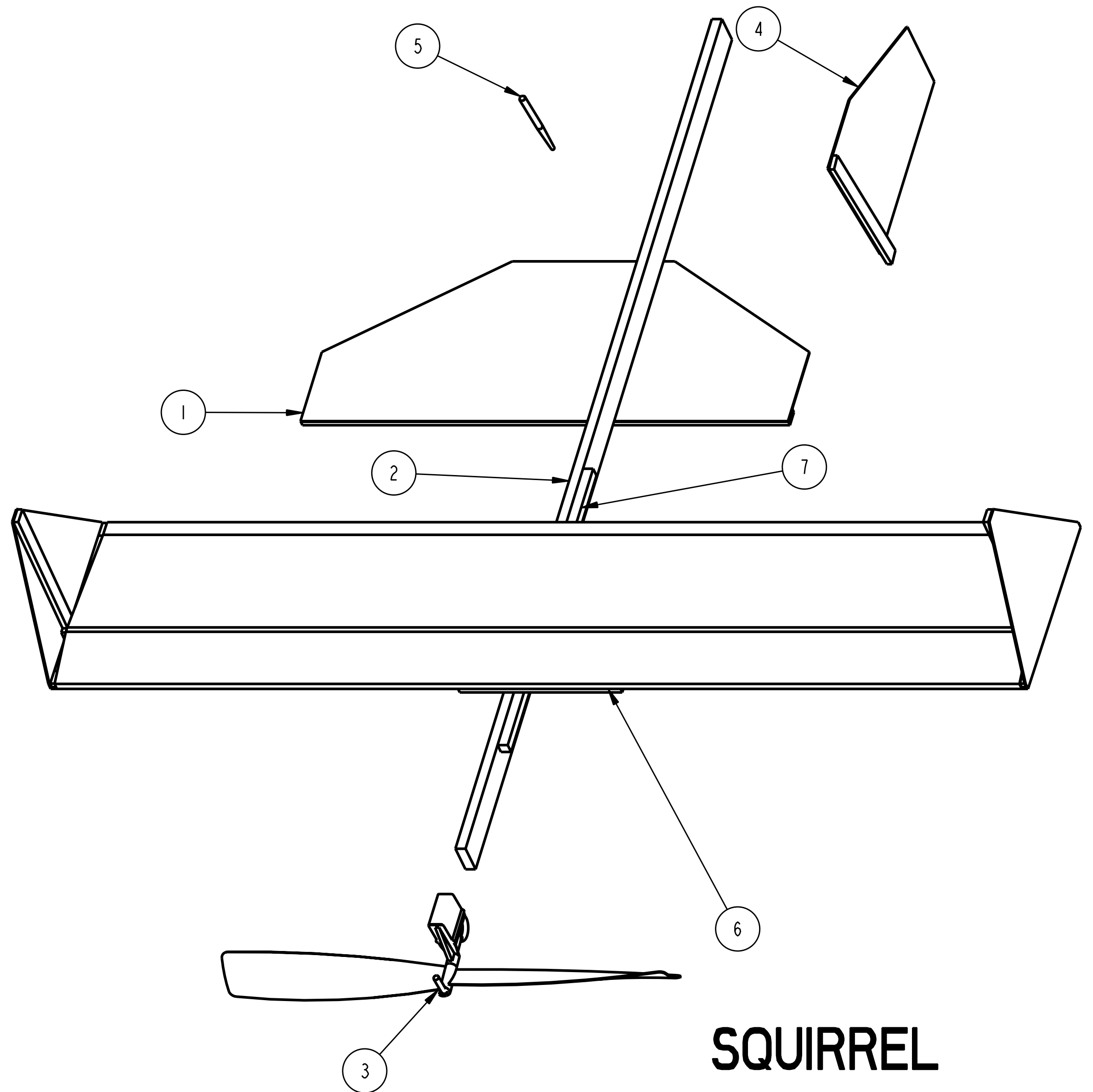
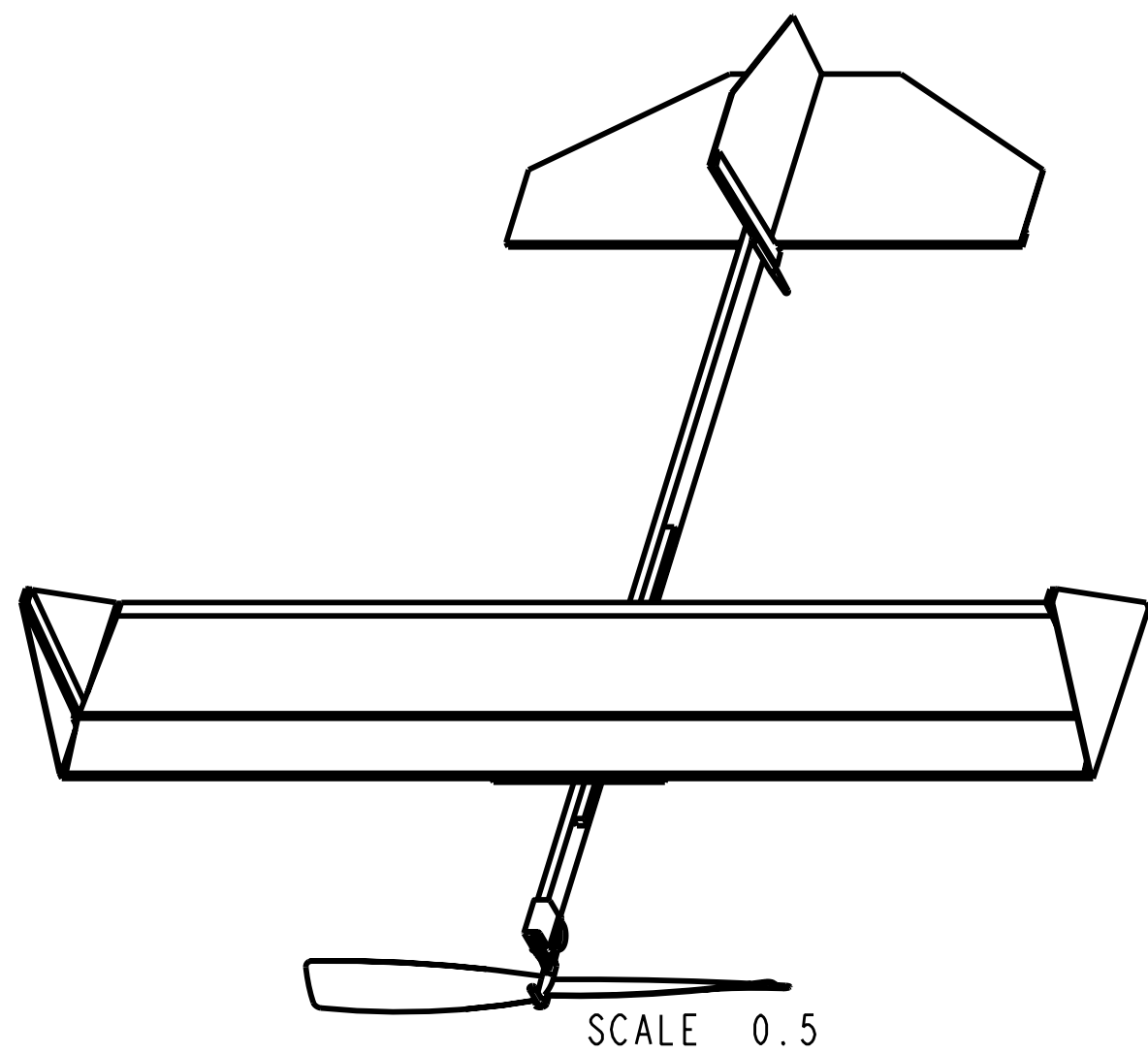


REF. NO.	QTY.	ITEM NAME
1	1	ELEVATOR
2	1	MOTOR_STICK
3	1	PROPELLER
4	1	RUDDER
5	1	TOOTHPICK
6	1	WING
7	1	WING_SEAT



**SQUIRREL**  
**FIRST FLIGHTS CLASS**

20100526